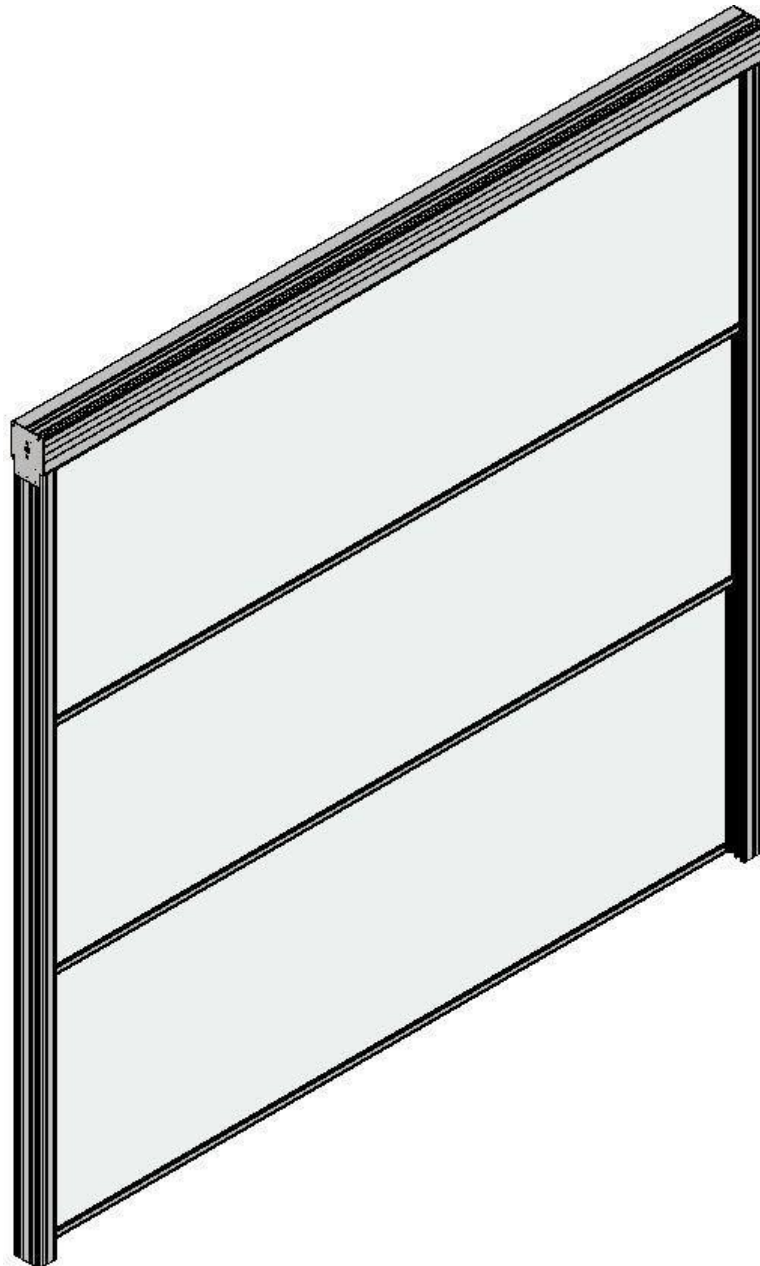




Technical Access Manual

Triple Motion system electric windshield dividers.



PRODROMIDIS
AWNING SYSTEMS - PERGOLAS

GENERAL

Dear customer, thank you for the preference and choice of our products.

This manual is a concise brochure with useful information and installation instructions for electrically retractable partitions, TRIPLE MOTION series systems by Prodromidis Nikolaos & Co. EE.

Please read the following instructions carefully, which are intended for the safe installation and smooth operation of the systems.

SAFETY INSTRUCTIONS - USEFUL TIPS

Be careful when passing cables at the installation site.

Always carry the required personal protective equipment and take all necessary precautions. Do not endanger your individual integrity.

The various components that make up the systems can only be used for the specific purposes for which they are intended.

The products are packaged in such a way as to ensure their safe transport. However, special care should be taken when removing them from wooden boxes, pallets or other packaging. Any retainers should be removed first and then carefully transported to a safe flat surface. Special attention should be paid to the current weather conditions. A possible wind can overturn the not yet installed windbreaks.

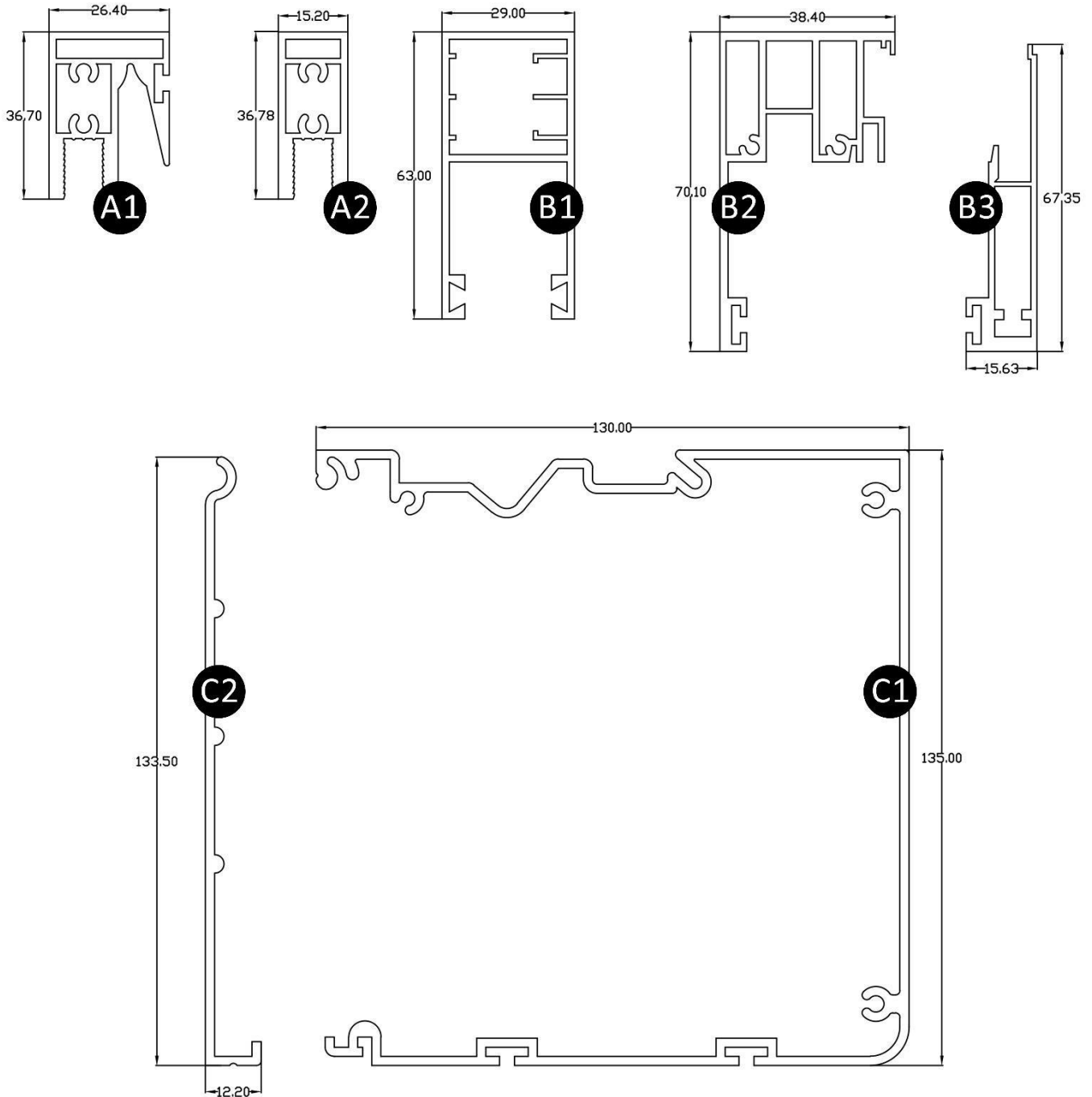
The products consist of fragile glass and moving - dividing parts of significant volume and weight. Their anchoring at the intended installation site must comply with the applicable safety regulations.

The installation should be done by experienced and specialized staff. The installer should be aware that the company Prodromidis Nikolaos & Co. EE does not bear any responsibility in case of physical or material damage caused by the incorrect application and assembly of its products or non-compliance with appropriate safety measures.

For any question, doubt or remark you have do not hesitate to contact us.

A. Aluminum profile

The Triple Motion system consists of the following profiles:



The side vertical guides consist of the profiles: B1, B2, B3

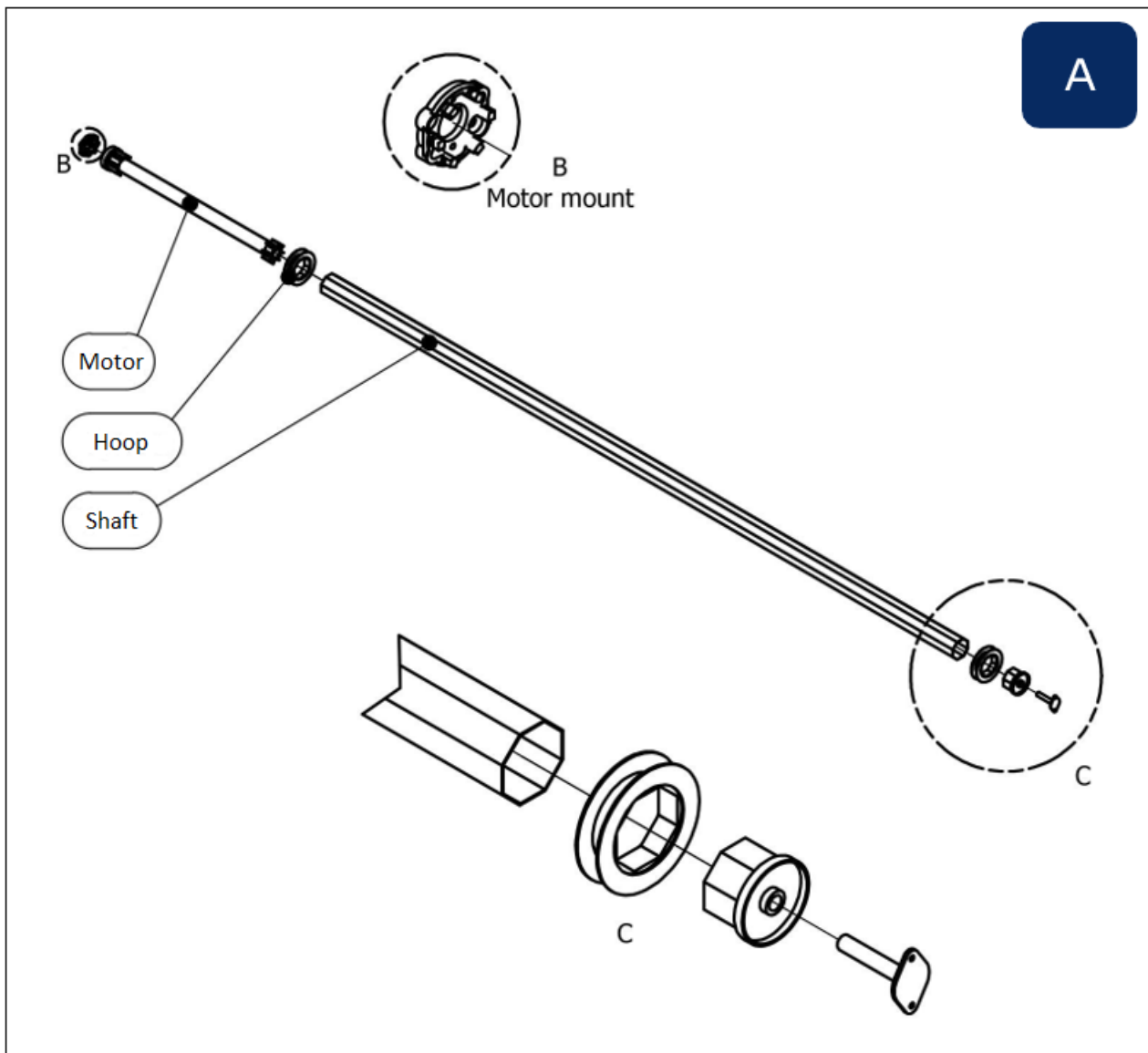
The frames of the crystals consist of the profiles: A1, A2

The case consists of profiles: C1, C2

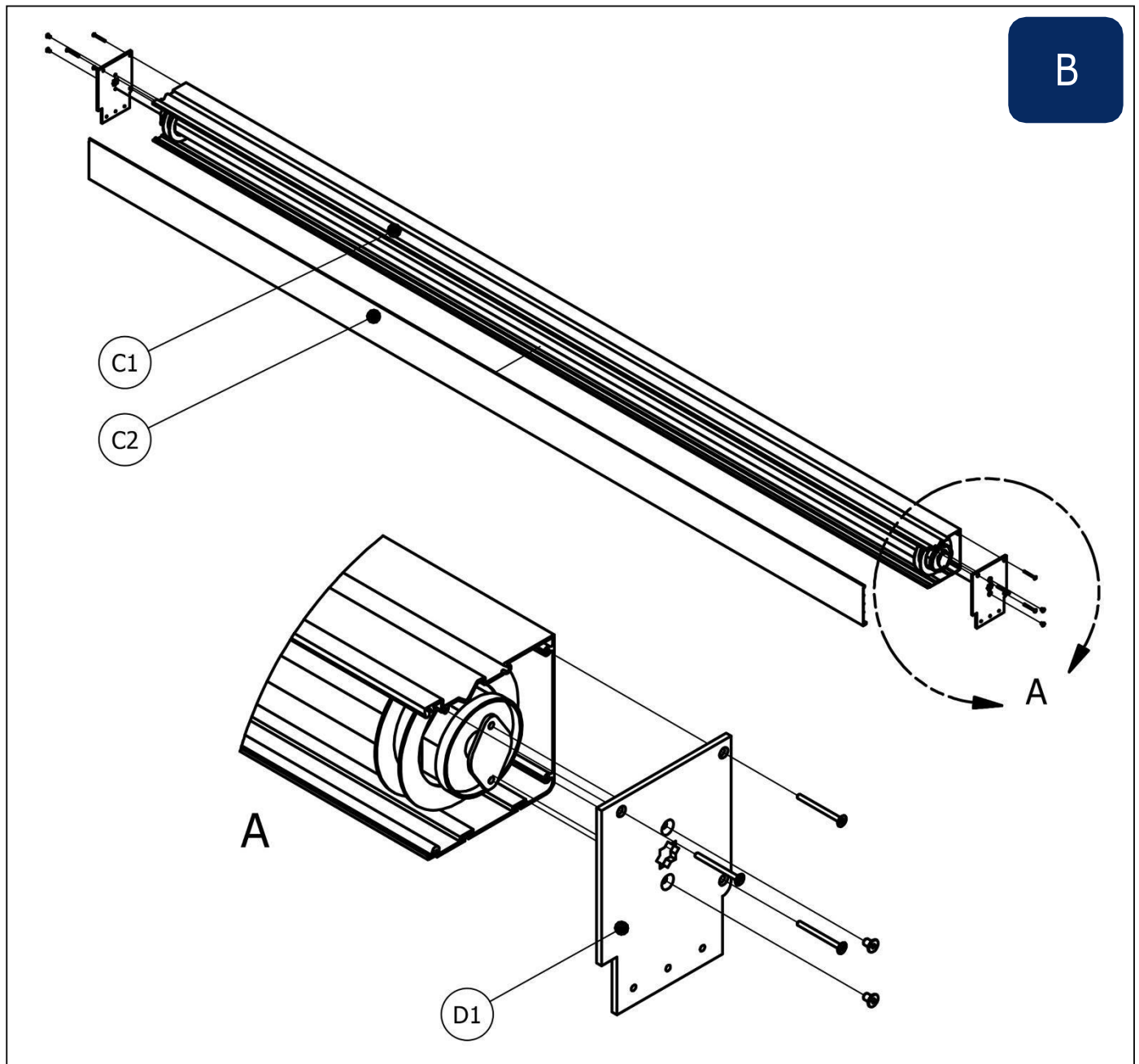
Step 1.

First, after removing the windshields from any packaging and their holding means, we transfer them to a safe flat surface.

Then, in case the case does not come fully assembled, the procedure shown in the next two A & B pictures should be followed.



Insert the drums on which the belt is wound right and left and then insert the motor on one side of the shaft, after the necessary components have been placed on it which should match the cross section of the octagonal shaft, and on the other the corresponding plastic with the metal base.

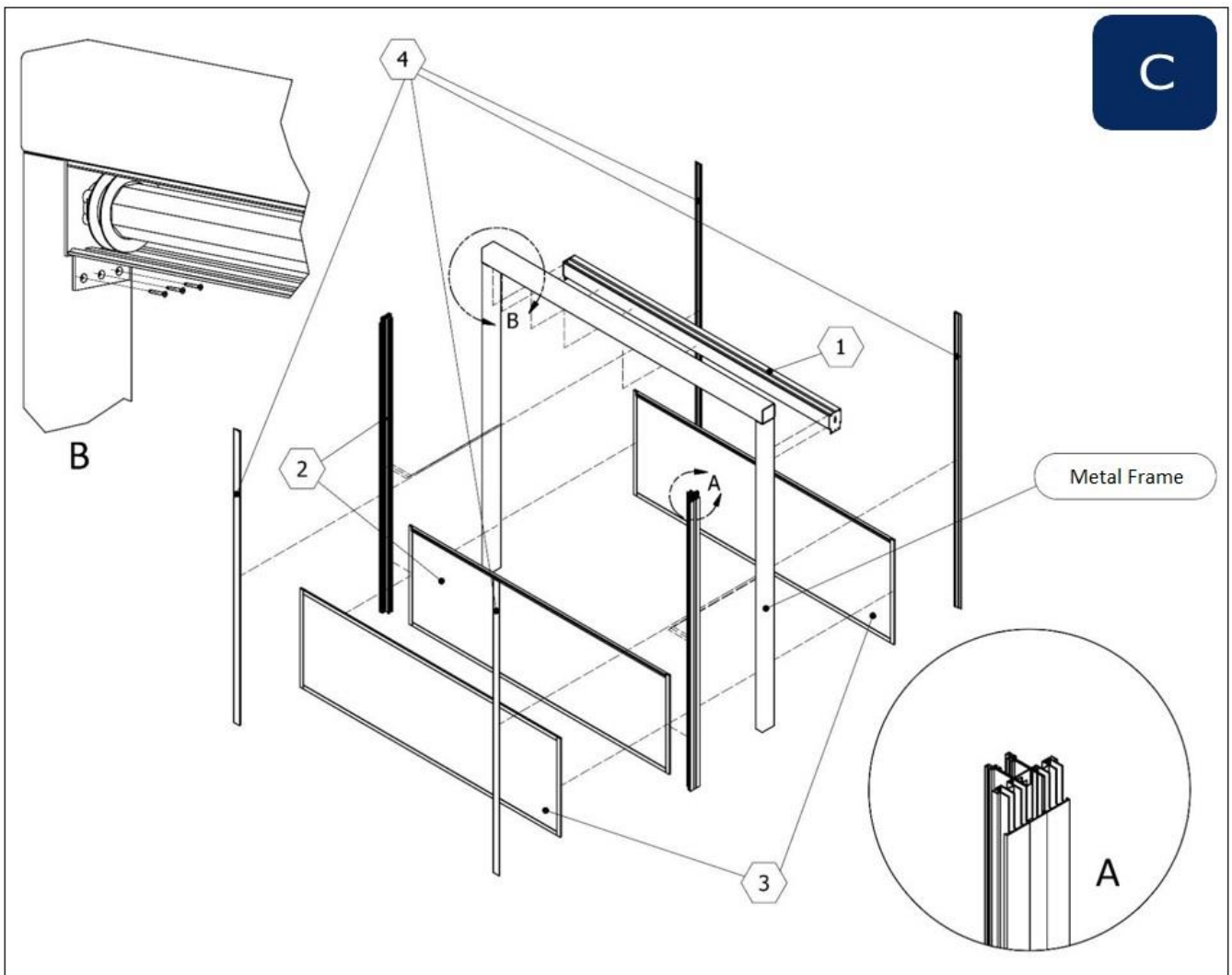


Finally, we integrate the metal plugs D1 in the case C1, screwing with the appropriate screws.

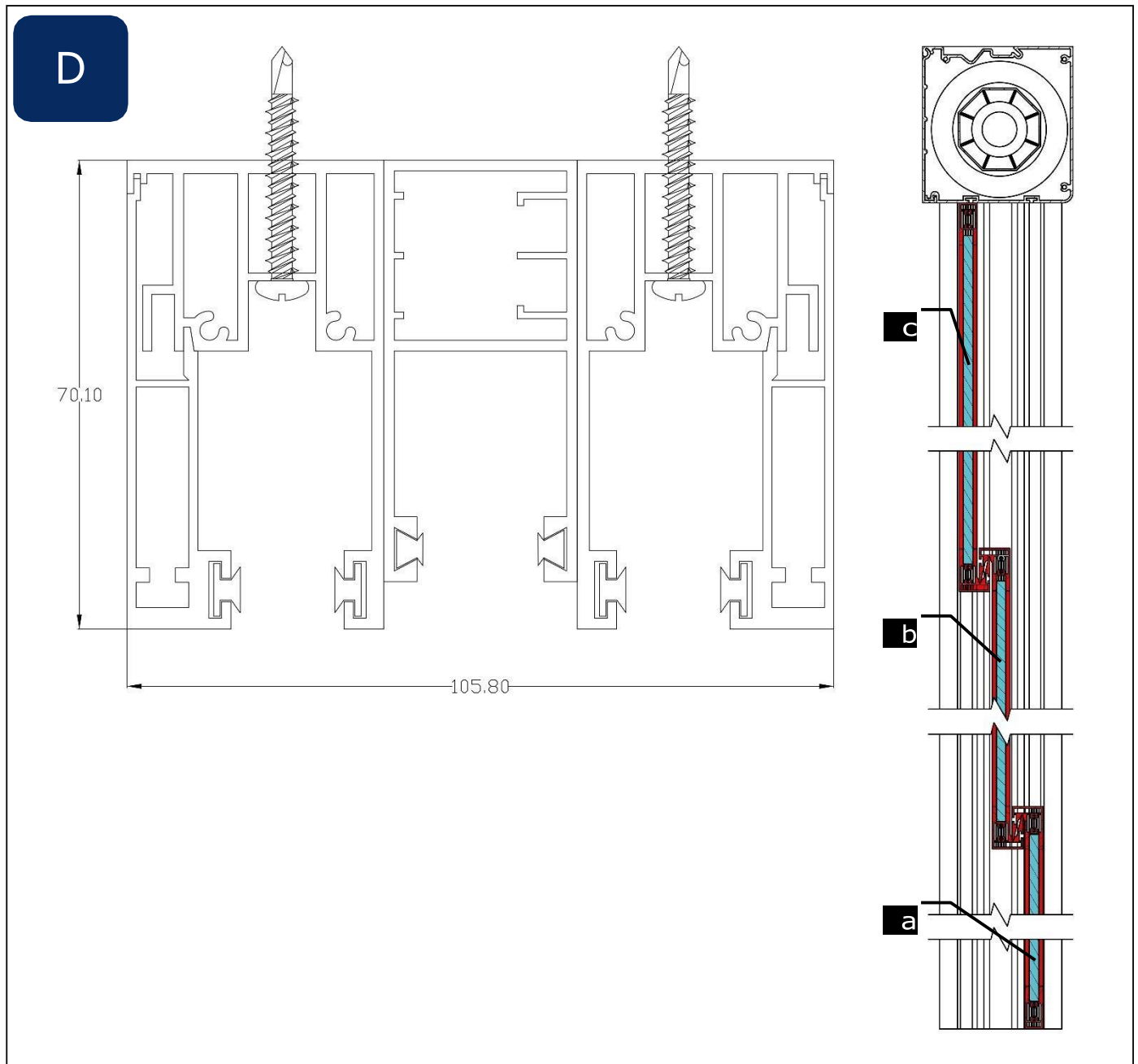
Step 2.

After completing the above process, we must proceed to the intended placement of the system in the intended installation space, which ideally as such a pre-existing metal frame.

- 1) Install the case holding it with the appropriate self-drilling screws, after first making sure of its leveling.
- 2) The middle glass which consists of 2 horizontal profiles with code A1 (see page should be placed in the guides and specifically in the profile with code B1. Thus, we insert the guides at the same time with the middle glass in the metal frame and screw left and right as shown in figure D. Pay attention to the "bead" of the guides which must be in the upper position (Minute A).
- 3) Insert the remaining panes into the guides. Their arrangement is distinguished in the schematic section that follows (see figure D).
- 4) Add the guide caps (profile B3), screwing with the appropriate screws. In this step we must first attach the strap to the glass c. (see figure E).



We also make sure that all the brushes (horizontal & vertical) are properly passed and there is no discontinuity in them.

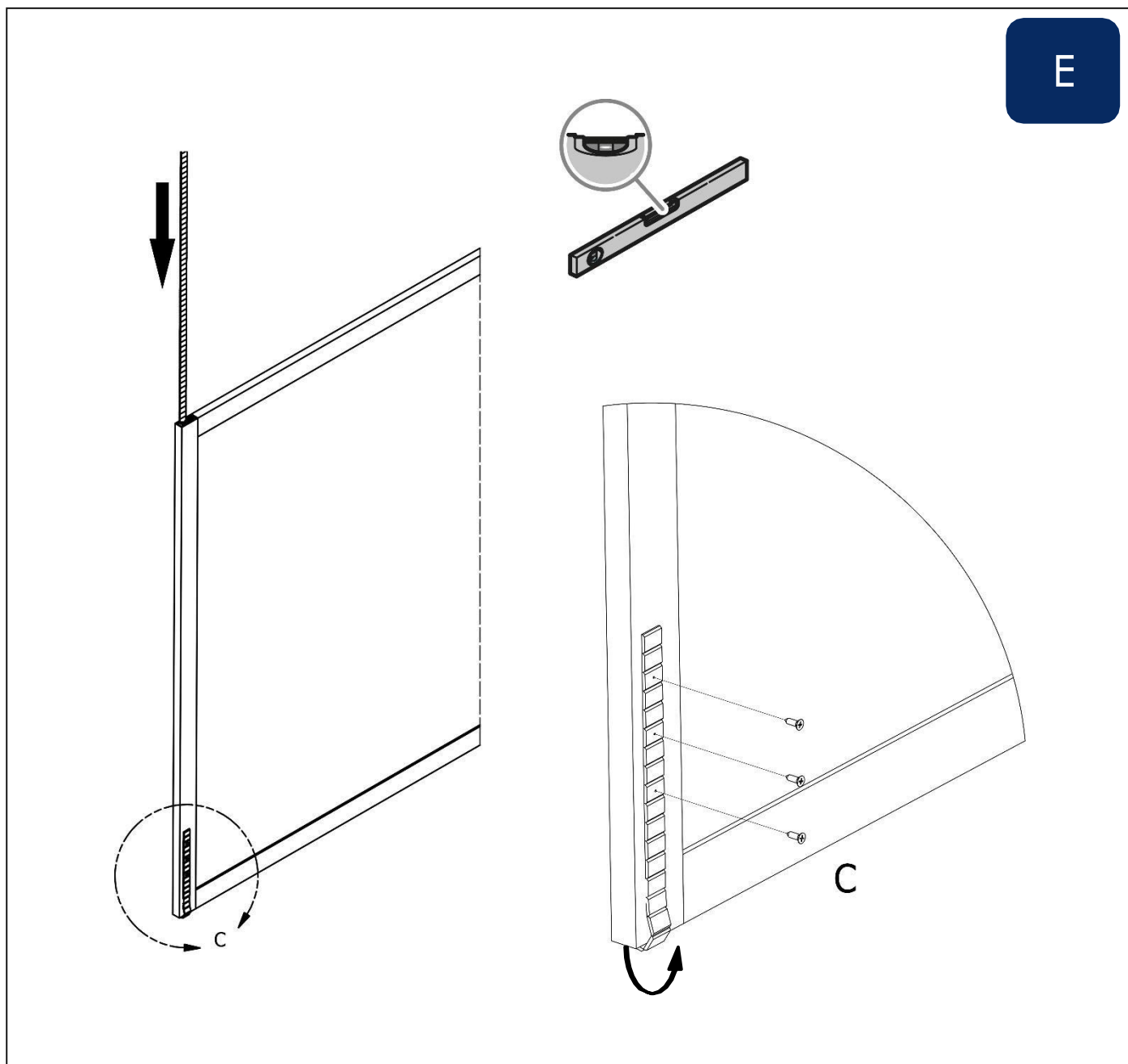


a: fixed glass

b: medium retractable glass

c: extreme retractable glass with belt assistance

The following figure shows the correct positioning of the belt in the frame c.



The belt penetrates into the A2 profile and is screwed out of it.

The belt must be secured with 3 self-drilling short screws.

Be careful, before opening the holes, do not forget the correct leveling of the frame (right & left strap).

Before the final closing of the guides with the respective "lids" we make sure that all the frames are correctly placed and work smoothly.



Prodromidis Nikolaos & Co. EU

Pogradec 21 & Irini 11 Peristeri

2105786700

info@prodromidis.gr

www.prodromidis.gr